

Wafer Thickness Measuring Instruments >>>

Dedicated Air Servo Type Wafer Thickness Measuring System Wafer Thickness Measuring Instrument (Patent Pending)

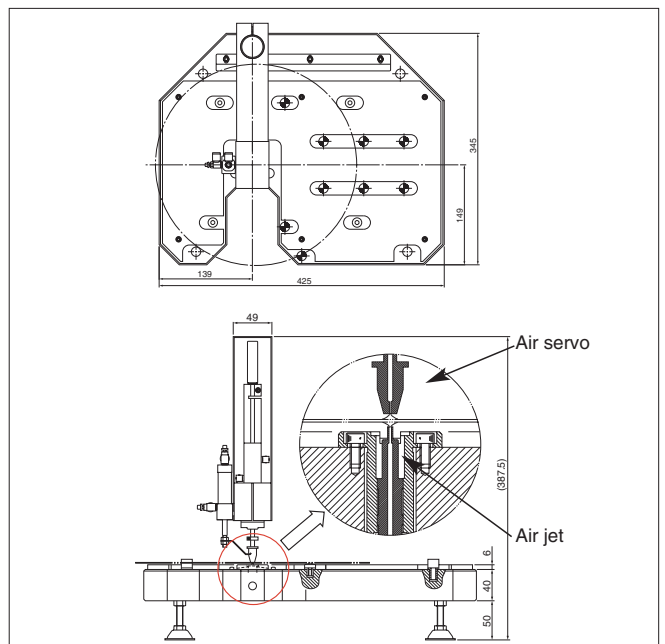


Photograph shows 3" to 8" center 1-pointer measurement mode.

Features

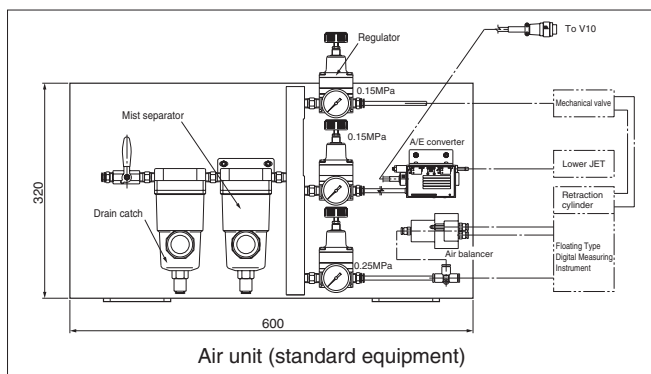
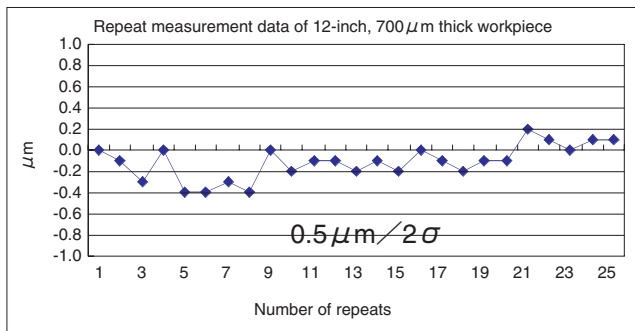
- Non-contact measurement using air
- Similar accuracy as contact type measurement
- Also supports glass and film measurements in addition to wafer measurement
- Wafer-only measurement part available as an option
- Measuring range: 8.5 mm long stroke

Wafer Thickness Measuring Instrument (12-inch, 5-point measurement mode)



Features

- ① Measurement using manual movement between one center point and four perimeter points.
- ② Measurement data can be sent to a PC (option).
- ③ Easy switching to 8-inch setup by changing a pin position



Specifications

Repeatability	1 μm max./2σ
Detector (upper)	Air servo type
Detector (lower)	Air jet
Measuring range, detector (upper)	8.5mm
Measuring range, detector (Lower)	0.04mm
Supported wafer diameters	8 and 12 inches, manual setup change
Measurement points	Center, four perimeter points
Perimeter measurement	4mm from edge
Display unit	PULCOM V10 + Counter board
Air pressure	0.3 MPa min.
Operating temperature	10 to 40°C
Accuracy guaranteed temperature	±1°C max. during master setting
Power source	AC 85 V – 250 V max., 50/60 Hz, 50VA

Product Codes	Product name	Specifications	Remarks
4295154	Air Servo Wafer Thickness Measuring Instrument	3" to 8", 1-point center measurement	Servo nozzle; measurement stand; V10; air unit; A/E converter
4295155	Air Servo Wafer Thickness Measuring Instrument	8" and 12", center and perimeter measurement	Servo nozzle; measurement stand; V10; air unit; A/E converter
4295156	Master for above	For ZERO/CAL	
Option			
4295157	Auto judgment function		Judgment results are output when measurement values stabilize.
0930106	RS-232C output		Requires input of an external judgment start signal or auto judgment function.
0930108	Data link software		Requires input of an external judgment start signal or auto judgment function.
0930137	Printer (Japan model)		Requires input of an external judgment start signal or auto judgment function.